

ANT380 Integrated Temperature Transmitter



Description

ANT380 integrated temperature transmitter can directly measure the surface temperature of various liquids, gas media and solids within the range of - 200 °C to 500 °C. A special temperature module is used to linearly correct the temperature sensing element and output standard analog signals. The product is easy to use and has various output forms, which meets the temperature measurement requirements of different sites in petroleum, chemical industry, metallurgy, power station, light industry and other fields.

Specifications

Range	-200°C...0°C~500°C
Power Supply	10V ~ 30VDC (With indicator)
Output Signal	4mA ~ 20mA DC
	4mA ~ 20mA DC+HART
Accuracy	±1.0%FS
Display	4 digits LCD display
Insulation Resistance	≥ 20MΩ, 500VDC
Ambient Temperature	-20°C~ +70°C
Humidity	< 85%
Storage Temperature	-40°C~ 80°C
Load Resistance (Ω)	Current (2-wire): ≤ (power supply voltage - 10V) / 0.02A

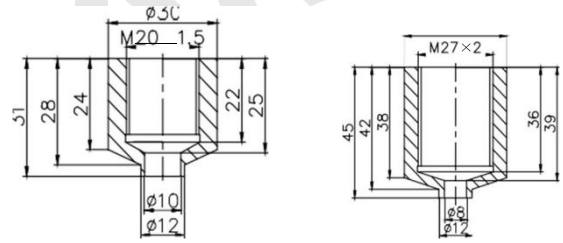
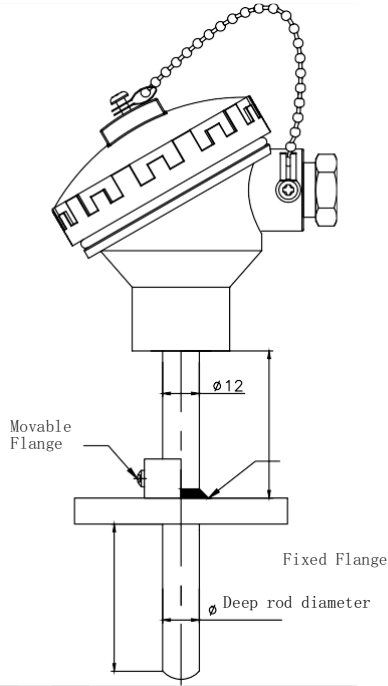
Features

- Exquisite appearance and design
- Reverse polarity protection, overcurrent and overvoltage protection
- Material of stainless steel, corrosion resistant
- High cost performance
- Diversified output forms

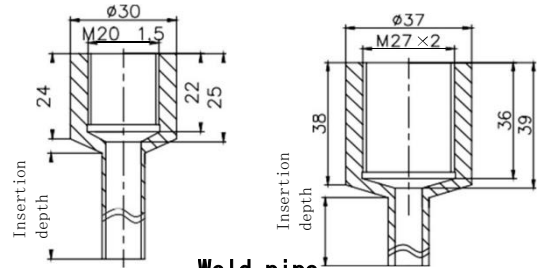
Material Structure

- Shell: aluminum alloy (waterproof cable box)
- Contact part with medium: stainless steel 304 / 316 or others
- Temperature sensor: PT100 / PT1000 or other
- High cost performance
- Multiple output forms

Dimension (mm)



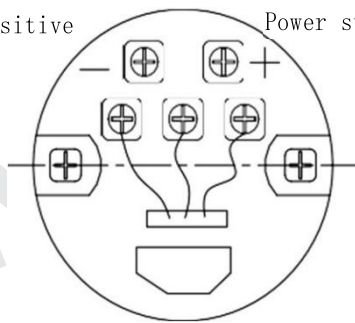
Base for weld



Weld pipe sleeve

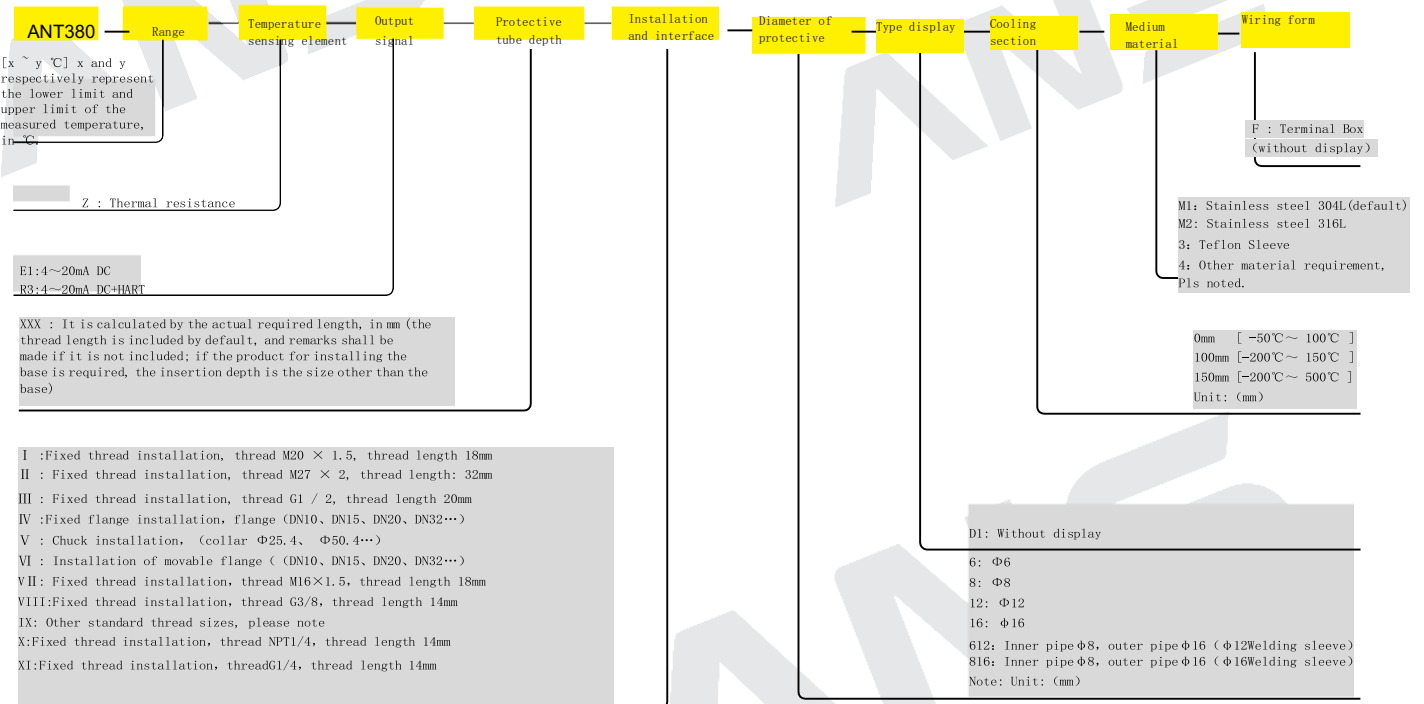
Electrical Connection

Output positive Power supply positive



Aeinsen

Selection Guide



Notes:

1. Unless otherwise specified, except for the probe part and the explosion-proof shell, other materials are stainless steel 304.
2. For the contents not included in the model selection, please consult our company for customization. This item is replaced by '*', and provide text description or drawings in remarks.