

# ANP380 Flush Diaphragm Pressure Transmitter

## Description

ANP380 Flush Diaphragm Pressure Transmitter is a flat film pressure measurement product that directly senses the pressure signal by welding the diaphragm to the front end of the process interface, takes the diffused silicon chip as the sensitive element, cooperates with the special digital circuit, and outputs the industrial standard signal after signal amplification, linear compensation, anti-interference, surge-proof and another signal processing.



## Features

- Strong anti-interference, surge-proof
- Multiple output signal options
- Integrated 316L stainless steel diaphragm
- Excellent resistance against overload and static pressure

## Applications

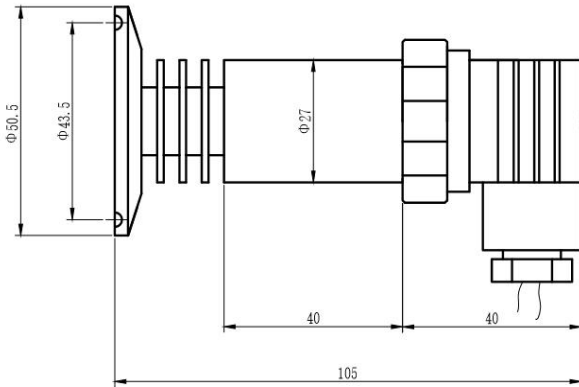
- Occasion with easy block, high sanitary requirement and convenient cleaning such as medicine and health care, food, liquor-making, dairy and drinks.
- Vicious media measurements

## Specification

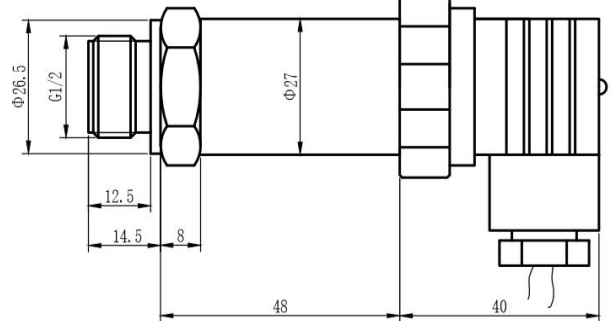
Range	-100kPa...0kPa ~ 10kPa...10MPa (Clamp)
	-100kPa...0kPa ~ 10kPa...100MPa (Thread)
Overload	2 times of Pressure Range or 110MPa (Min)
Pressure Type	Gauge Pressure, Absolute Pressure, Sealed Gauge Pressure
Output	2-wire 4 ~ 20mADC; 8 ~ 30VDC
	3-wire 0 ~ 10VDC; 14 ~ 30VDC
	3-wire 0 ~ 5VDC; 8 ~ 30VDC
	3-wire 1 ~ 5VDC; 8 ~ 30VDC
	3-wire 0.5 ~ 4.5VDC; 8 ~ 30VDC
	4-wire RS485 Modbus-RTU; 8 ~ 30VDC
Accuracy	±0.25% FS ±0.5% FS (Typical)
Long-term stability	±0.2%FS/ Year
Temp. Coefficient of zero	< 100KPa ±0.05%FS/°C
	≥ 100KPa ±0.03%FS/°C
Temp. Coefficient of span	< 100KPa ±0.05%FS/°C
	≥ 100KPa ±0.03%FS/°C
Compensation Temp.	0°C~ 70°C
Operating Temp.	-30°C~ 80°C (plug) -10°C~ 70°C (cable)
Storage Temp.	-40°C~ 120°C (plug) -20°C~ 85°C (cable)
Load Resistance (Ω)	≤ (-8V)/0.02A (Ω)
	≥ 10KΩ
Protection Class	IP65 (B1)
Media	Media should be compatible with 316L and FKM
Electrical Interface	DIN43650
Sealing Ring	FKM

## Dimension (Unit: mm)

P1: Clamp

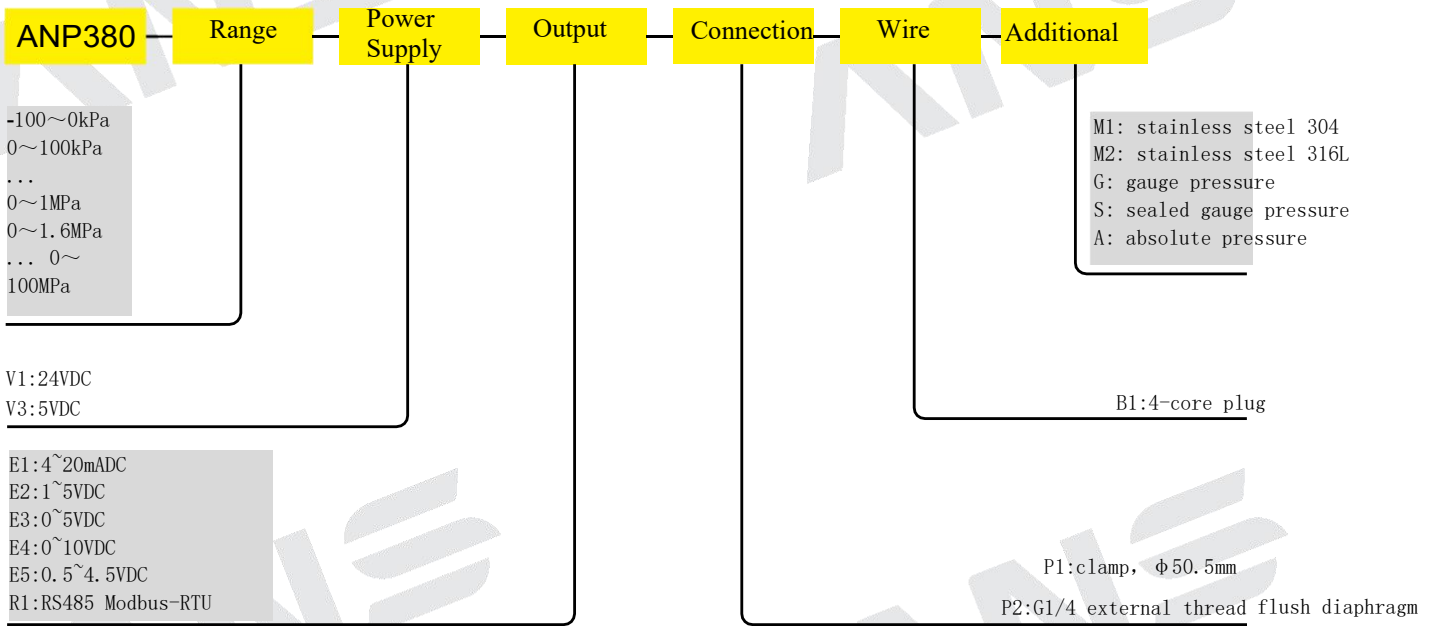


P2: Thread Screw



Functional Definition	B1 ( 4-core plug )	
2-wire ( 4 ~ 20mADC )	Positive (V+)	1
	Negative (0V/+Out)	2
3-wire (Voltage Output)	Positive (V+)	1
	Common (GND)	2
	Output Positive (+OUT)	3
4-wire (Voltage Output)	Positive (V+)	1
	Negative (0V/+Out)	2
	RS485A	3
	RS485B	4

## Selection Guide



## Noted:

1. Range could be chosen from -100kPa...0kPa ~ 10kPa...10MPa (clamp);  
-100kPa...0kPa ~ 10kPa...100MPa (thread)
2. Please pay attention that the media should be compatible with the contacted parts.