

## ANL360/360K

### Diving / Armored Level Transmitter

#### Features

- It has separable structure. The diving (insert) part of transmitter in the liquid media is fully sealed stainless steel structure. The house of electronic circuit is aluminum casting which is installed in the position convenient for adjustment and wiring;
- ANL360K stainless steel armored level transmitter with the standard flange mounting could be on-screen display and on-line calibration.



ANL360K Armored Level Transmitter

#### Description

ANL360/360K Diving/Armored(Insert) transmitter uses the diffusion silicon piezo resistive sensor with high performance. It could measure the static which is in proportion to the liquid depth. It has high accuracy and small size which could diving into liquid directly. It is convenient to use so that it widely used in petroleum chemical industry, power plant, city water supply and hydrogeology.

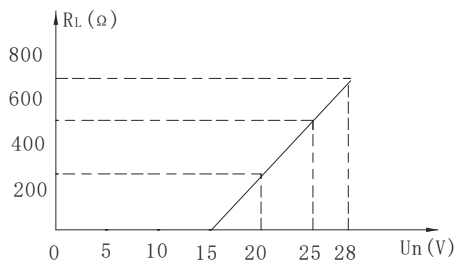
#### Specification

Range	ANL360 型	1	2	5	10	20	50	100	200m H <sub>2</sub> O
	ANL360K 型	1	2	3	4m H <sub>2</sub> O				
Over pressure	1.5 times of pressure range								
Accuracy	±0.25%FS (Typical)			±0.5%FS (Max)					
Stability Error	±0.1%FS (Typical)			±0.2%FS (Max)			Range>10mH <sub>2</sub> O		
	±10mmH <sub>2</sub> O (Typical)			±20mmH <sub>2</sub> O (Max)			Range≤10mH <sub>2</sub> O		
Temperature Error	Zero point error, ±%FS/°C						Sensitivity error, ±%FS/°C		

	Range > 10mH <sub>2</sub> O	0.005 (Typical)	0.01 (Max)	0.02 (Max)
	Range ≤ 10mH <sub>2</sub> O	0.01 (Typical)	0.02 (Max)	0.02 (Max)
	Range ≤ 5mH <sub>2</sub> O	0.015 (Typical)	0.03 (Max)	0.02 (Max)
	Range ≤ 2mH <sub>2</sub> O	0.025 (Typical)	0.05 (Max)	0.02 (Max)
Wiring	2-wire		3-wire	
Power Supply	15V~28V DC			
Output	4mA~20mA DC		0/1V~5/10V DC	
Load Resistance (Ω)	< (U-15) / 0.02		> 5k	
Media	ANL360	Housing: stainless steel 304		0 shape ring: FMK
		Diaphragm: stainless steel 316L		Rubber jacket: NBR
	ANL360K	Cable: Φ7.2mm PE (or PU) Stainless steel, red copper, FMK o shape ring		
Operating Temp.	-30℃~80℃	-10℃~70℃ (ANL360)	-10℃~60℃ ( )	
Storage Temp	-40℃~120℃	-20℃~85℃ (ANL360)		
Protection class	IP68 (Transmitter part) ; IP65 (electronic circuit box)			

Noted: ① 2-wire with LCD or LED display, power supply should more than 20VDC.

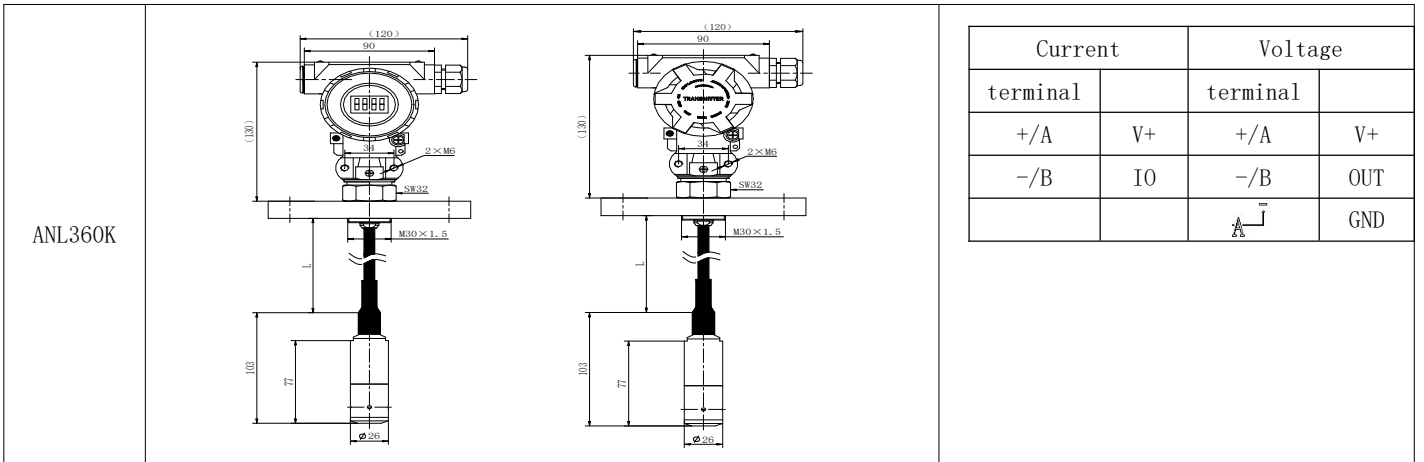
### Load resistance specification



2-wire  
4mA~20mA DC output  
15V~28V DC power supply  
 $R_L < (U_n - 15) / 0.02$  (Ω)

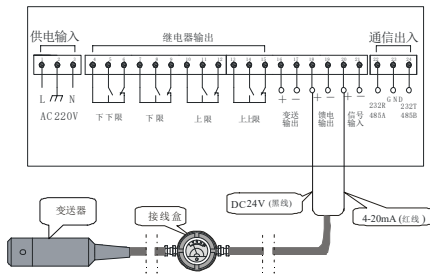
### Structure and electronic connection

Item No.	Dimension (mm)	electronic circuit box	electronic connection
ANL360			

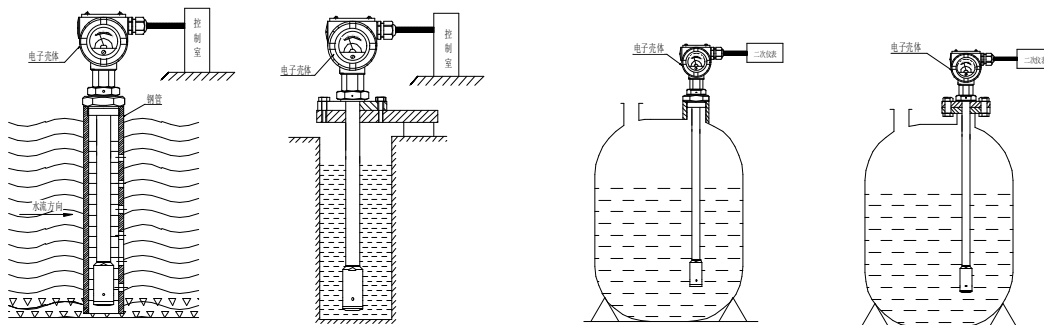


### Application

Measurement and control system of level transmitter and secondary instrument

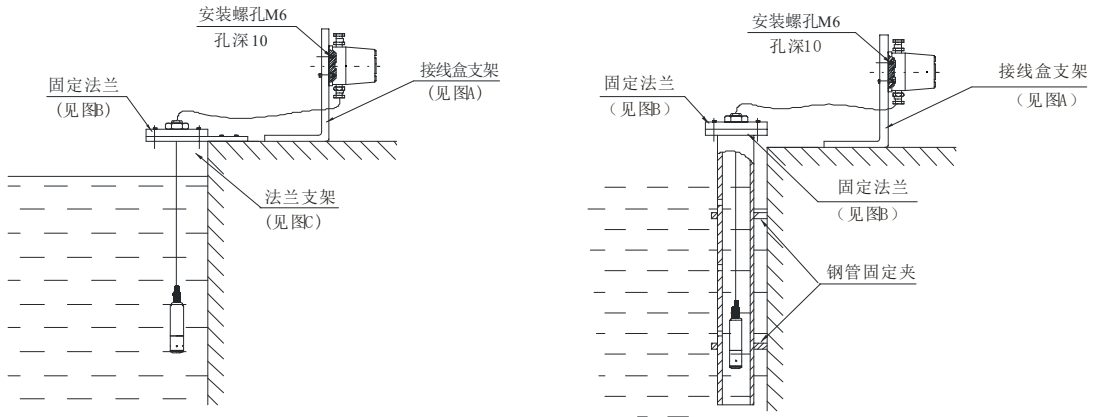


### ANL360K

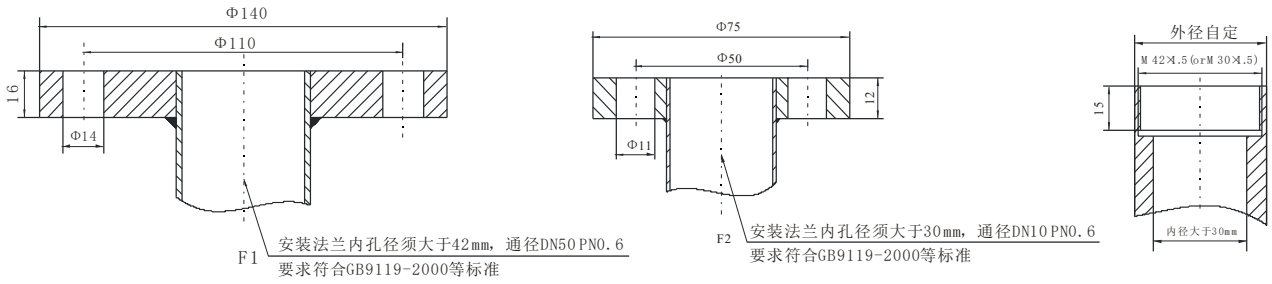


### Installation(mm)

ANL360



ANL360K (user need to supply the flange and crew size of installation)



## Selection Guide

ANL360	Diving level transmitter			
ANL360K	Armored level transmitter			
Range [0m~X mH <sub>2</sub> O]L	L: cable length, L-X= (1~2) m	ANL360		
	L: length of armored steel pipe	ANL360K		
Item no.	Output			
	E1	4mA~20mA DC		
	E2	1V~5V DC		
	E3	0V~5V DC		
	E4	0V~10V DC		
Item no.	Material			
		Diaphragm	Connector	Housing
	M1	316L	Stainless steel	Stainless steel
	M2	316L	316L	316L
M0	钽	Stainless steel	Stainless steel	
Item no.	Additional			
	D3	3.5 digital LCD display	Only 4~20mA	
	D2	4 digital LED display		
	C1	M20×1.5 external thread connection, end plate sealing	ANL360	
	C3	G1/2 external thread connection		
	C2	M20×1.5 external thread connection, water plane sealing		
	F <sub>1</sub>	Fixed flange		
	1F1	Stainless steel fixed flange 1 DN50	ANL360K	
	1M1	Stainless steel external thread M42×1.5		
	1F2	Stainless steel flange*2 DN10		
	1M2	Stainless steel external thread M30×1.5		
	2F1	Galvanized steel*1 DN50		
	2M1	Galvanized steel external thread M42×1.5		
2F2	Galvanized steel*DN10			

ANL360

 [0~3mH<sub>2</sub>O]5

E1

M1

D2C1

Item number and specification

**Noted:**

1、Media should be compatible with material of contact part, and need to be noted the density of media(except water);

2、Cable has 2 option, PE is more soft and better wear proof which is suggested. Without special mark, we will use PE;

3、We suggest to add lightning proof setting in the thunderstorm area. And pls aware of power and ground which could lowing damage rate;

4、ANL360K armoured cable is longer than 2 meter, we gonna delivery the armoured pipe in subsection. Need to be set up in the site.

5、Any special requirement, pls discuss with us and marked in the purchase order.