

ANP367 High Temperature Pressure Transmitter



Description

ANP367 High-temp. pressure transmitter is the pressure with high accuracy, strong stability in high temperature. It uses silicon carbide varistor sensor with stainless steel diaphragm and heat sink. It has the features of signal amplification, anti-interference and surge proof.

Specifications

Range	-100kPa...0kPa ~ 10kPa...3.5MPa (Gauge pressure)
	0kPa ~ 70kPa...35MPa (Absolute pressure)
	0kPa ~ 3.5MPa...100MPa (Sealed gauge pressure)
Overload	2 times of pressure range or 110MPa (Min)
Pressure Type	Gauge pressure, absolute pressure, seal gauge pressure
Power Supply	10 ~ 30VDC (Without display)
	15 ~ 30VDC (LED or LCD display)
Output	2-wire 4 ~ 20mA DC
Accuracy	±0.25% FS ±0.5% FS (Typical)
Long-term Stability	±0.2%FS/ Year
Temp. Coefficient of zero	< 100KPa ±0.03%FS/°C
	≥ 100KPa ±0.02%FS/°C
Temp. Coefficient of span	< 100KPa ±0.03%FS/°C
	≥ 100KPa ±0.02%FS/°C
Media Temp.	-50°C ~ 200°C
Operating Temp.	-30°C ~ 80°C (Without display)
	-30°C ~ 70°C (LED display)
	-20°C ~ 60°C (LCD display)
Storage Temp.	-40°C ~ 120°C
Load Resistance (Ω)	≤ (Supply voltage - 10V) / 0.02A
Electronic Housing	Aluminum alloy
Protection Class	IP65

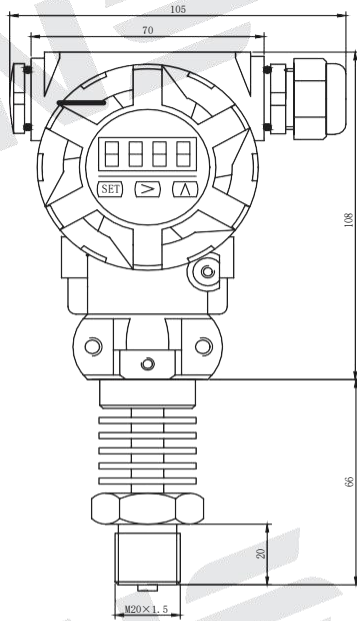
Features

- Multiple output signal options
- With LCD or LED display
- Strong anti-interference, surge-proof, reverse power protection
- High Accuracy, high Stability, original Germany Chip
- Integrated 316L stainless steel diaphragm

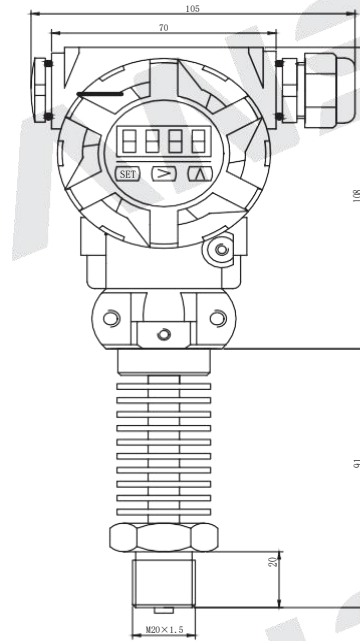
Applications

- Petrochemical industry
- Measurement and control technology
- Hydraulic and pneumatic field

Dimension (Unit: mm)



Shape of 5 heat sinks

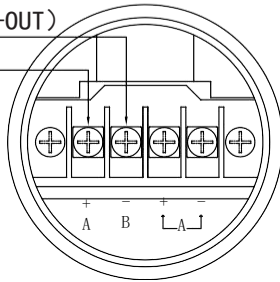


Shape of 10 heat sinks

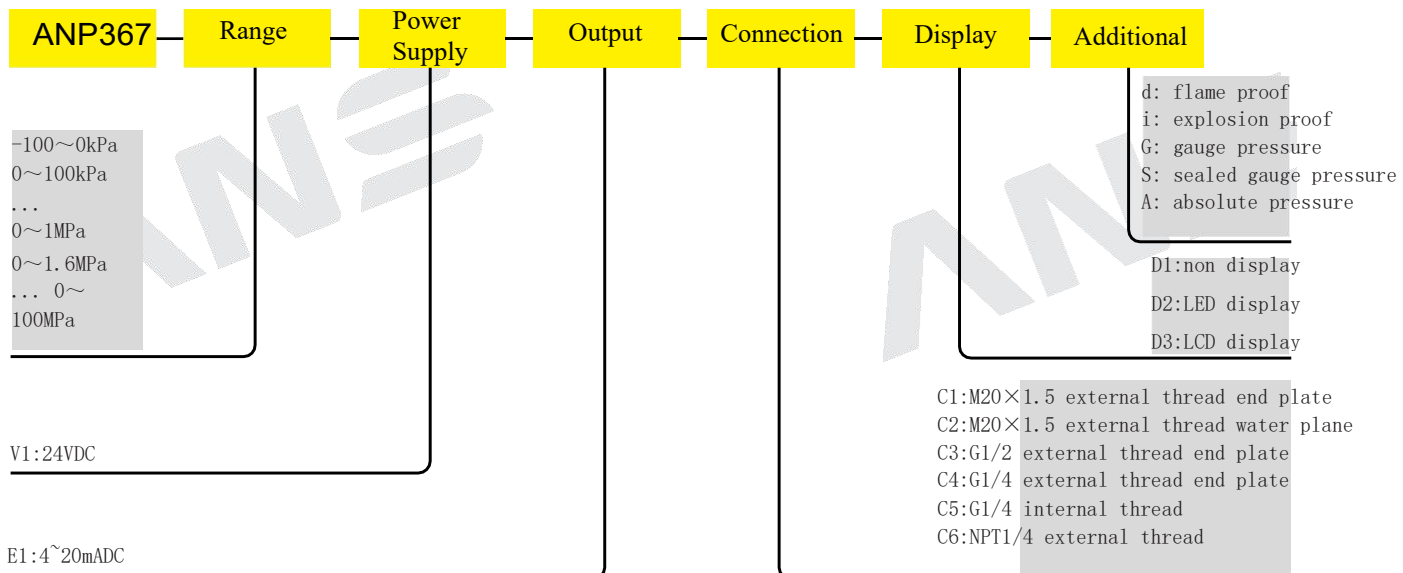
Electrical Connection

Negative (OV/+OUT)

Positive (V+)



Selection Guide



Noted:

1. The range could be -100kPa...0kPa~10kPa...100MPa;
2. Pls pay attention that the media should be compatible with the contacted parts.