

# ANP341 Smart Pressure Transmitter



## Description

ANP341 Pressure Transmitter is our own designed smart pressure transmitter with high accuracy and stability. It designed with a compact integrated stainless-steel structure with a built-in digital processing circuit that converts into standard voltage or current signal output.

## Specification

Pressure Range	-100kPa...0kPa ~ 10kPa...3.5MPa (Gauge Pressure)
	0kPa ~ 70kPa...35MPa (Absolute Pressure)
	0kPa ~ 3.5MPa...100MPa (Sealed Gauge Pressure)
Overload	2times of URL pressure or 110MPa (Min)
Pressure Type	Gauge Pressure, Absolute Pressure, Sealed Gauge pressure
Output	2-wire; 4 ~ 20mADC;
	2-wire; 4 ~ 20mADC+Hart
	4-wire; RS485 Modbus_RTU
	4-wire; 4~20 mADC + RS485 Modbus_RTU
Accuracy	±0.1% FS    ±0.25% FS (Typical )
Long-term stability	±0.15%FS/ Year
Compensation Temp.	-10°C ~ 70°C
Operating Temp.	-30°C ~ 80°C (plug)   -10°C ~ 70°C (plug)
Storage Temp	-40°C ~ 120°C (plug)   -20°C ~ 85°C (plug)
Load Resistance (Ω)	Output: ≤ ( -8V ) /0.02A (Ω)
Protection class	IP65 (B1 )                      IP68 (B2 )
Media	Media should be compatible with 316L and FKM
Electrical Interface	DIN 43650, transmission or cable connection (1Meter, could be customized)
Sealing Ring	FKM
Cable	∅ 7.5mm PU Cable

## Features

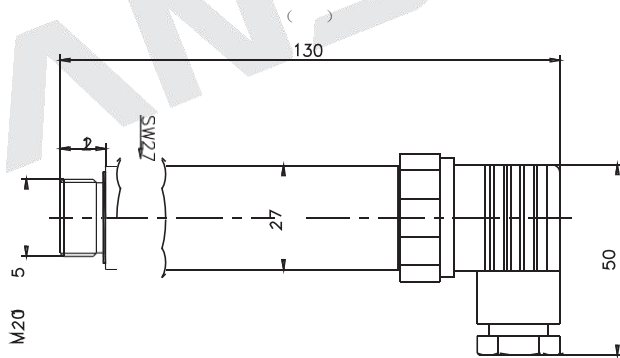
- Excellent resistance against overload, shock and resistance to electromagnetic compatibility, Strong anti-interference, surge-proof
- Multiple process connection and electrical connection options
- High Stability, Original Germany Chip
- Integrated 316L stainless steel diaphragm
- Wide measuring range, can measure absolute pressure, gauge pressure and sealed gauge pressure

## Applications

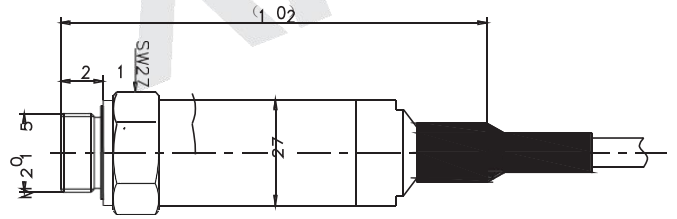
- Hydraulic and Pneumatic Industry
- Petrochemical Industry

## Dimension (Unit : mm)

## B1 4-core plug/IP65



## B2 Cable /IP68



## Electronic Connection

Function	B1(4 core plug)		B2 B3(Cable)
2-wire (4 ~ 20mADC)	Positive(+V)	1	R
	Negative(0V/+OUT)	2	B
Standard	Positive(+V)	1	R
	Power(0V/+OUT)	2	B
	RS485A	3	Y
	RS485B	4	W

## Selection Guide

